

Universal Unbreakable Mirrors



Ashtree has designed and developed a new range of universal unbreakable mirrors for use in many different industries and applications.

The aim when designing this range was simple-keep it simple.

We use two universal clamps on our mirrors. The first will fit all tubular arms of 10-20mm in diameter and the second will fit mirror arms of 16-28mm in diameter.

Both clamps have plenty of adjustment meaning that good visibility for all drivers is a slight tilt of the mirror away.

Mirrors are available in the traditional black or bright yellow for use in industries with health and safety requirements.

To the right, the MX440CE-Yellow mirror is mounted on a street sweeping machine. By their nature sweepers operate close to the side of kerbs and pavements, yellow mirrors can act as a warning to pedestrians. The mirror is mounted on the Ashtree S902 mirror arm, for more information on these mirror arms please see inside.



To the right is an image of the stylised ring used on the Ashtree range of products. This is moulded with a claw that prevents it from being removed when passing trees or going through a vehicle wash. As well as being designed to complement the image of the mirror it is also designed to be at its thickest point on the outer edges of the mirror. This protects the mirror body and absorbs impact that could destroy a mirror of lesser design.



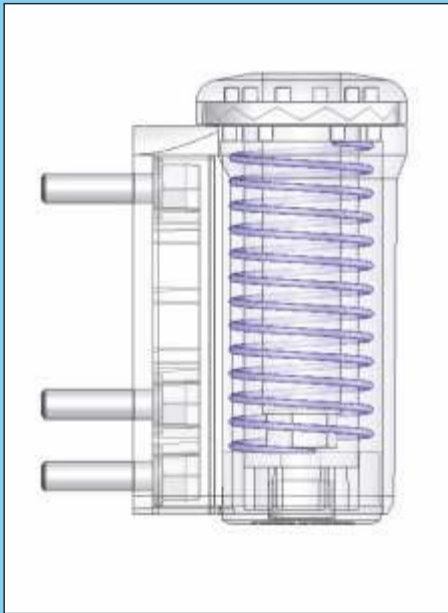
All of the mirrors have an off set clamp that means they can be mounted closer to the side of the vehicle or further away. This can be useful when mounting mirrors on vehicles that have a body wider than the cab. To change from one to the other simply spin the mirror round on the arm See images below and to the right.



Part Number	Lens Radius	Dimensions	EU Class	Will Fit
MX250CE	300mm	208mm x 208mm	IV and V	10-20mm
MX250CEB	300mm	208mm x 208mm	IV and V	16-28mm
MX250CE-Yellow	300mm	208mm x 208mm	IV and V	10-20mm
MX250CEB-Yellow	300mm	208mm x 208mm	IV and V	16-28mm
MX440CE	1200mm	245mm x 162mm	II and III	10-20mm
MX440CEB	1200mm	245mm x 162mm	II and III	16-28mm
MX440CE-Yellow	1200mm	245mm x 162mm	II and III	10-20mm
MX440CEB-Yellow	1200mm	245mm x 162mm	II and III	16-28mm
MX555CE	1200mm	276mm x 185mm	II and III	10-20mm
MX555CEB	1200mm	276mm x 185mm	II and III	16-28mm
MX555CE-Yellow	1200mm	276mm x 185mm	II and III	10-20mm
MX555CEB-Yellow	1200mm	276mm x 185mm	II and III	16-28mm
MX725CEB	1200mm	390mm x 190mm	II and III	16-28mm
MX725CEB-Yellow	1200mm	390mm x 190mm	II and III	16-28mm

All of the above products are available with a glass lens. Simply drop the 'x' from the part number

S900 Mirror Arms



The Ashtree S900 range of mirror arms was designed to be strong, durable and as practical as possible. Since these arms were launched we have exported more than 65% of production. The vast majority of these have been used as original equipment in the construction equipment industry where strength and durability are prime considerations.

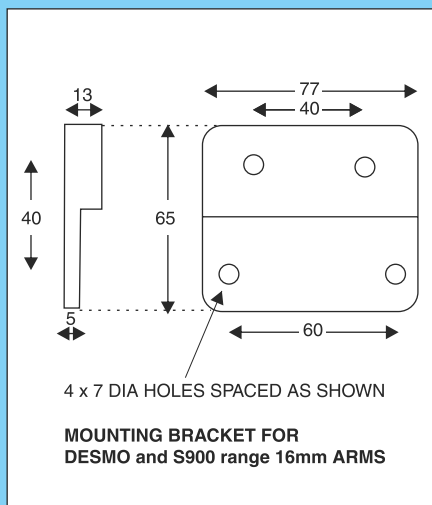
At the design stage for this range we chose a high impact polymer for the body of the moulding. This is cheaper than traditional zinc, and helps keep the cost down, but it's also very strong and helps reduce vibration and play on the arms.

Indexing is done on two sets of zinc teeth that are set into opposite surfaces on the body and spindle of the arm. This means that indexing is between two metal surfaces minimising wear, helping to reduce vibration but ensuring the arm is strong and vibration free.

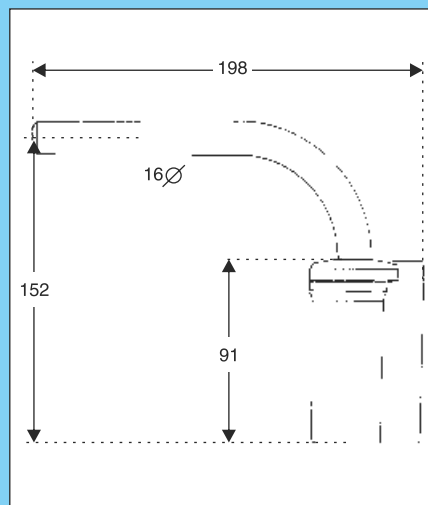
Most mirror arms adjust in 45 degree increments. Because of the design of the S900 mirror arms adjustment is at 20 degree increments. This means that more mirrors can be mounted in the correct position with these arms than they can be with any other design.

To mount these arms simply choose two of the three M6 holes in the body. These are at either 45mm or 60mm centres.

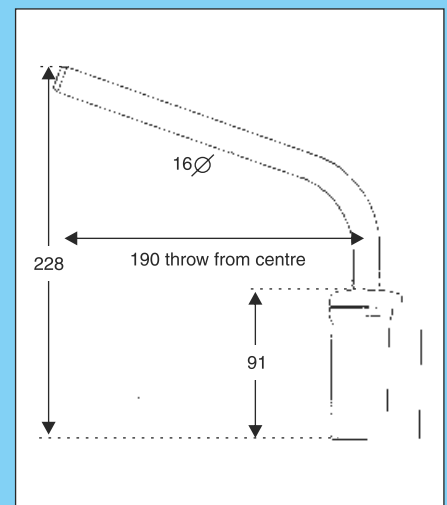
The S900 range is the subject of UK Patent Application No. 0917899.7



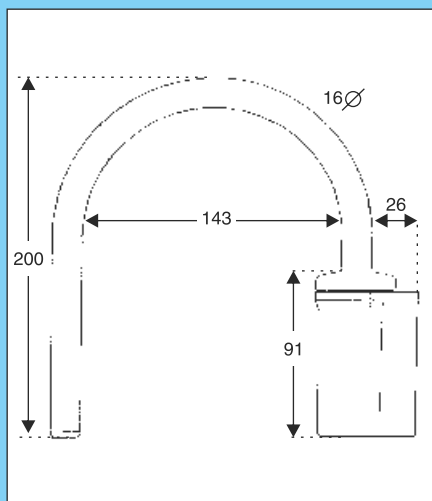
Y2089



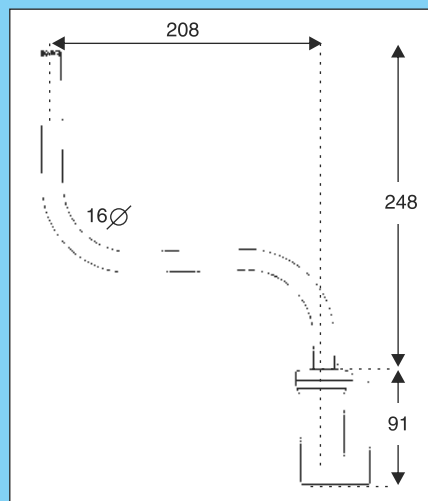
S901



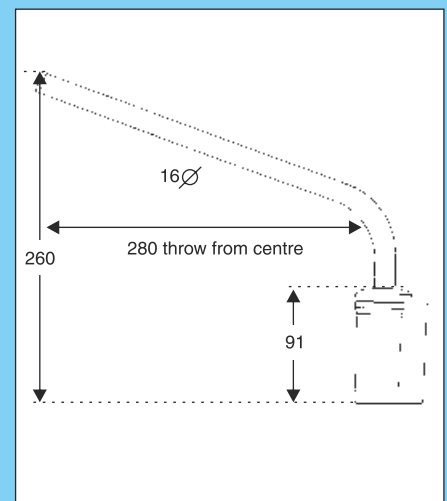
S902



S903



S904



S905

Improving Safety



With over 30 years manufacturing experience Ashtree Glass manufactures some of the most unique products available today. Ashtree design incorporates as many features as possible to make our products flexible and fit for purpose. Twin lens mirrors like the one on the left give better visibility by using glass that has a deeper radius of curvature than was used just a few years ago. The little girl in the image could have remained unseen.



When designing new products careful consideration is given to making them as flexible as possible. The mirror above has a newly designed clamp that allows it to fit onto mirror arms up to 42mm in diameter. Some mini excavators, fork lift trucks, tractors and other machines have no mirrors at all but using a mirror fitted with the new Ashtree clamp means mirrors could now be fitted directly onto a hand rail or bar in seconds making for a safer work place.



Some of the latest Ashtree mirrors can be manufactured with either a standard mirror glass or an unbreakable lens. As well as retaining the mirror glass the rubber ring provides an extra layer of impact protection against damage because we have designed it to be at it's thickest on the outer edges.

Distributed by



QUALITY ASSURED

ASHTREE GLASS LIMITED

ASHTREE WORKS, BROWNROYD STREET,
BRADFORD - BD8 9AF ENGLAND

Tel +44 (0) 1274 546732 Fax +44 (0) 1274 548525

Email sales@ashtreeglass.co.uk

Website www.ashtreeglass.co.uk

Manufacturing Mirrors Since 1977