

# Plant and Agri Mirrors

For 30 years Ashtree Glass has been manufacturing mirrors. We are now an approved supplier to many of the leading names in construction equipment manufacturing. In this brochure you will find a selection of products manufactured specifically for use on construction equipment.

## "E" Approved Wide Angle Safety Mirrors

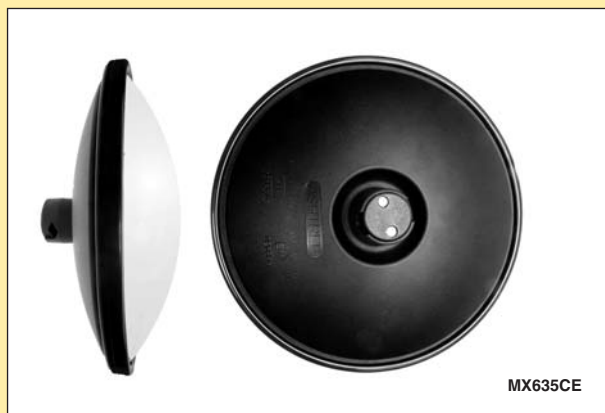
ISO 5006:2006 requires that from the 30th of November 2008 all new plant should allow operators visibility of a 1 metre boundary all around a machine. The standard also requires that, if mirrors are to be used, they should have a spherical radius like truck mirrors. This allows a constant image with a better perception of distance. With the new directive in mind Ashtree Glass have developed Europe's first range of safety mirrors that are "E" approved like truck mirrors but designed for use on off highway machinery as well on road going machinery. The Ashtree range of mirrors come complete with clamps that will allow fitment of bar of 10-20mm or 16-28mm depending on the model selected.



Part Number: **MX430CE and MX430CEB 300mm radius**  
 Dimensions: **240mm x 155mm**  
 Fits mirror arms:  
**MX43CE 10-20mm diameter**  
**MX43CEB 16-28mm diameter**  
 Application: "E" approved universal safety mirror for plant and construction equipment.



Part Number: **MX550CE and MX550CEB 250mm radius**  
 Dimensions: **293mm x 210mm**  
 Fits mirror arms:  
**MX550CE 10-20mm diameter**  
**MX550CEB 16-28mm diameter**  
 Application: "E" approved universal safety mirror for plant and construction equipment.



Part Number: **MX635CE and MX635CEB 225mm radius**  
**MX6351CE and MX6351CEB 300mm radius**  
 Dimensions: **300mm diameter**  
 Fits mirror arms:  
**MX635CE 10-20mm diameter**  
**MX635CEB 16-28mm diameter**  
 Application: Safety mirror for construction equipment

## Guide to choosing the correct mirror.

When selecting the mirror you need the following should help you find the right product for your needs.

**Dimensions:** How large does the mirror need to be? The section of text marked in orange shows the dimensions of each mirror.

**Fits mirror arms:** Measure the diameter of the bar or mirror arm you are looking to attach your new mirror to and select a mirror from this section that will fit.

**Applications:** Ashtree mirrors are designed to be as universal as possible so you will find that most mirrors will fit onto most mirror arms. The Manufacturers listed as applications are only a guide and do not mean these mirrors will fit nothing else.

## Wide Angle Safety Mirrors



Part Number: **MX943**  
 Dimensions: **220mm x 110mm**  
 Fits mirror arms: **10-20mm diameter**  
 Application: **Safety mirror for fork trucks and construction equipment**



Part Number: **MX948 and MX948B**  
 Dimensions: **280mm x 160mm**  
 Fits mirror arms: **10-20mm diameter, MX948. 16-28mm diameter MX948B**  
 Application: **Safety mirror for large fork trucks and construction equipment**



Part Number: **MX950-Tunnel**  
 Dimensions: **315mm x 215mm**  
 Fits mirror arms: **19mm diameter**  
 Application: **Safety mirror for construction equipment**



Part Number: **MX952**  
 Dimensions: **350mm x 250mm**  
 Fits mirror arms: **Twin Stud Mounting at 115mm (approx)**  
 Application: **Loading Shovels and other construction equipment**

## Standard rear view mirrors



Part Number:  
**Complete mirror and arm MO407CEAL**  
**Mirror only MO407CE**  
**Mirror arm only S1218L**  
 Dimension of mirror only: **240mm x 154mm**  
**Mirror arm 20mm diameter with two M6 holes at 98mm centres**  
 Application: **Manitou, Bobcat and European telehandlers**



Part Number: **M528CE**  
 Spare glass part number: **G528CE**  
 Dimensions: **296mm x 215mm**  
 Fits mirror arms: **16-28mm diameter**  
 Application: **John Deere and universal mirror for agricultural and construction equipment.**

## Standard rear view mirrors



Part Number: **M545CE and M545CEB**  
 Spare glass part number: **G545CE**  
 Dimensions: **259mm x 200mm**  
 Fits mirror arms: **10-20mm diameter M545CE, 16mm-28mm diameter M545CEB**  
 Application: **Universal tractors and construction equipment mirror.**



Part Number: **M626CE**  
 Spare glass part number: **G626CE**  
 Dimensions: **329mm x 238mm**  
 Fits mirror arms: **16-28mm diameter**  
 Application: **Case, McCormick, Massey Ferguson, New Holland, Komatsu, Doosan and universal construction equipment**



Part Number: **MO613CE**  
 Spare glass part number: **G613CE**  
 Dimensions: **362mm x 212mm**  
 Fits mirror arms: **16-19mm diameter**  
 Application: **Dieci and other European construction equipment**



Part Number: **M714CE**  
 Spare glass part number: **G714CE**  
 Dimensions: **383mm x 193mm**  
 Fits mirror arms: **16-28mm diameter**  
 Application: **Sennebogen, JLG and universal construction equipment**



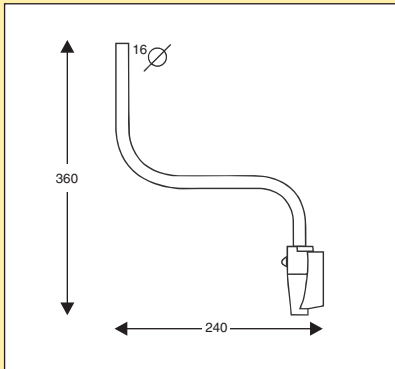
Part Number: **MO801CE**  
 Spare glass part number: **G801CE**  
 Dimensions: **420mm x 194mm**  
 Fits mirror arms: **18mm diameter**  
 Application: **Manitou**



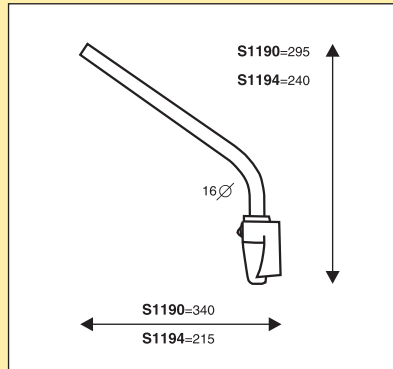
Part Number: **M820CE**  
 Spare glass part number: **G820CE**  
 Dimensions: **422mm x 228mm**  
 Fits mirror arms: **16-28mm diameter**  
 Application: **Universal mirror for construction equipment**

## Mirror Arms

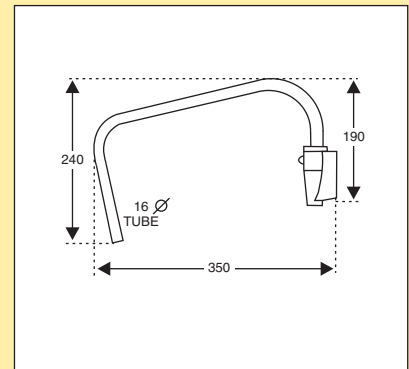
This is only part of the Ashtree range. For more sizes please contact your stockist.



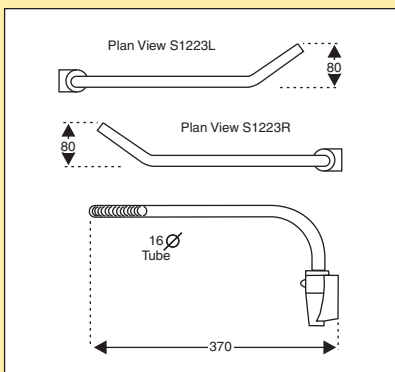
**S1187**



**S1190 - S1194**



**S1222**

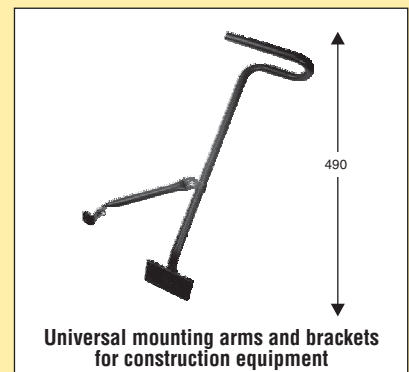


**S1223L & S1223R**



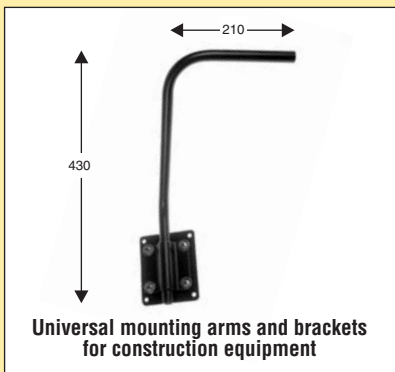
Universal telehandler mounting arm

**S1400**



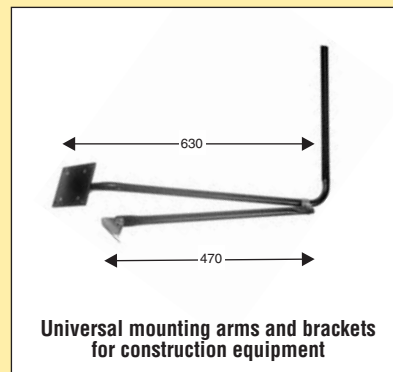
Universal mounting arms and brackets for construction equipment

**S1406**



Universal mounting arms and brackets for construction equipment

**S1407**



Universal mounting arms and brackets for construction equipment

**S1408**



MX550CEB mounted on S1407

Distributed by:

0209

## ASHTREE GLASS LIMITED

ASHTREE WORKS, BROWNROYD STREET,  
BRADFORD - BD8 9AF ENGLAND

Tel +44 (0) 1274 546732 Fax +44 (0) 1274 548525

Email [sales@ashtreeglass.co.uk](mailto:sales@ashtreeglass.co.uk)

Website [www.ashtreeglass.co.uk](http://www.ashtreeglass.co.uk)



QUALITY ASSURED